

# FlashFold™ Vertical Rising Safety System

## MACHINE GUARDING PRODUCTS

### LARGE AREA, BOTTOM-UP FLASH GUARD

#### BARRIER CURTAIN

Provides safety from weld flash, flying debris and entry into work area

#### LARGE APPLICATION SOLUTION

Up to 16' wide x 9' high

#### HIGH CYCLES AND HIGH SPEED

24" per second operation helps improve productivity

#### LOW PROFILE DESIGN

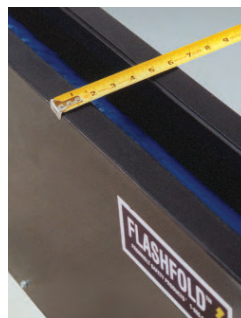
6" depth x 16-1/2" height storage allows for installation in areas with tight clearances

#### IMPROVED SAFETY

Curtain operation with dual belting system and safety switch assures control

#### PRODUCTIVITY

Absence of header assembly allows for overhead crane access



### INCREASE PRODUCTIVITY AND SAFETY WITH THE FLASHFOLD SYSTEM

The FlashFold from Frommelt® Safety Products is ideal for robotic cells where cross-flash conditions exist. The FlashFold's vertical rising curtain allows for overhead crane access while protecting personnel from weld flash, flying debris and entry into dangerous work areas.

A low profile design with 6" depth allows FlashFold to be easily integrated into your system.

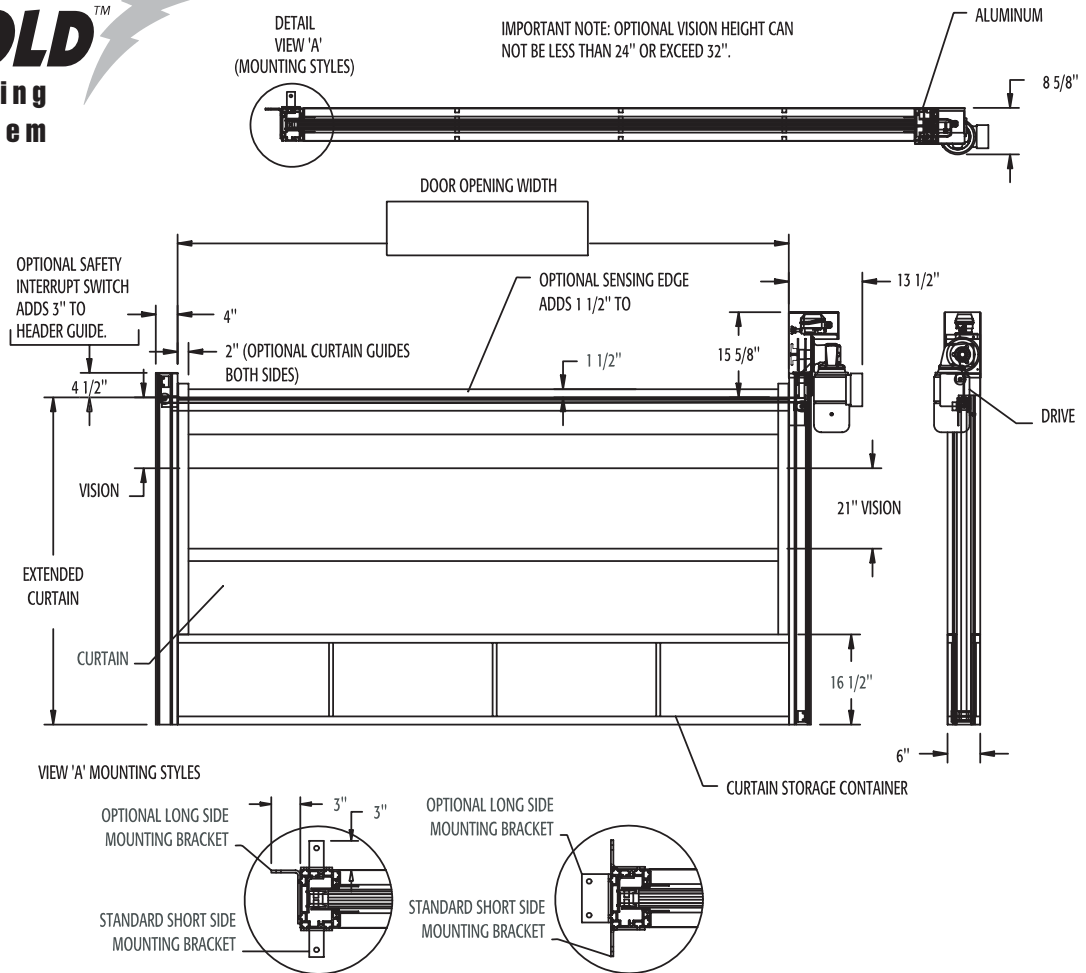
For more details, contact us at 800-553-5560.

**FLASHFOLD™**  
Vertical Rising  
Safety System

 **Frommelt®**  
SAFETY PRODUCTS  
Integrating Fabrics With Technology

# FLASHFOLD™

## Vertical Rising Safety System



### SPECIFICATIONS:

**MODEL NUMBER:** 1390 FlashFold™ Vertical Rising Safety System

**SIZE:** Minimum: 2'-0" w x 2'-0" h  
Maximum: 16'-0" w x 9'-0" h

**SPEED:** 24" per second operation

**CURTAIN MATERIAL:** Standard: 14 oz. blue Weldtex™ with optional 21" high, full-width vision panel

**CURTAIN GUIDES:** 3/16" x 1-1/2" x 2" aluminum angle

**MOUNTING BRACKETS:** Front/back or side mounting brackets

**GEAR MOTOR:** 3 phase, 1.0 H.P. worm gear motor with brake

**SENSING EDGE:** Optional: Electric reversing edge, reverses curtain upon contact

#### SAFETY INTERRUPT

**SWITCH:** Optional: Safety-rated paddle switch

**PHOTO EYES:** Optional: Thru-beam type

**CONTROL BOX:** Optional: PLC style, Size: 16" x 14" x 8-1/2". Includes On/Off switches and closed buttons.

**WARRANTY:** Limited 1-year parts

CUSTOMER

END USER

SIZE

QUANTITY

CUSTOMER APPROVAL

SIGNATURE

DATE



4343 Chavenelle Drive  
Dubuque, Iowa 52002-2654  
Toll Free: 800-553-5560  
1-563-587-4401  
Fax: 563-589-2776  
www.frommelt.com



Printed in USA  
©2002 Frommelt Safety Products