

Verti-Guard™ Versatile Safety Guard

EASY TO USE, ECONOMICAL SAFETY GUARD

SOLID PANEL CONSTRUCTION

Provides safety from weld flash,
flying debris and entry into
work area

FULLY ASSEMBLED

Simply connect to air supply
and operate

ERGONOMIC DESIGN

Allows for overhead crane
operation

HIGH CYCLES AND FAST OPERATION

24" per second opening and
closing increases productivity

ADAPTABLE

Minimal space requirements and
optional mounting styles

MACHINE GUARDING PRODUCTS



PROTECT YOUR EMPLOYEES WITH VERTI-GUARD™ VERSATILE SAFETY GUARD

Verti-Guard from Frommelt® Safety Products is ideal for single or double robotic cells, part assembly, and conveyor openings. The vertical rising system allows for overhead crane loading and provides safety to the operator from weld flash and flying debris. The low profile design helps prevent back injuries with minimal reach in required to load parts. And the simple pneumatic operation helps increase productivity.

The economical Verti-Guard comes pre-assembled for fast, easy installation.

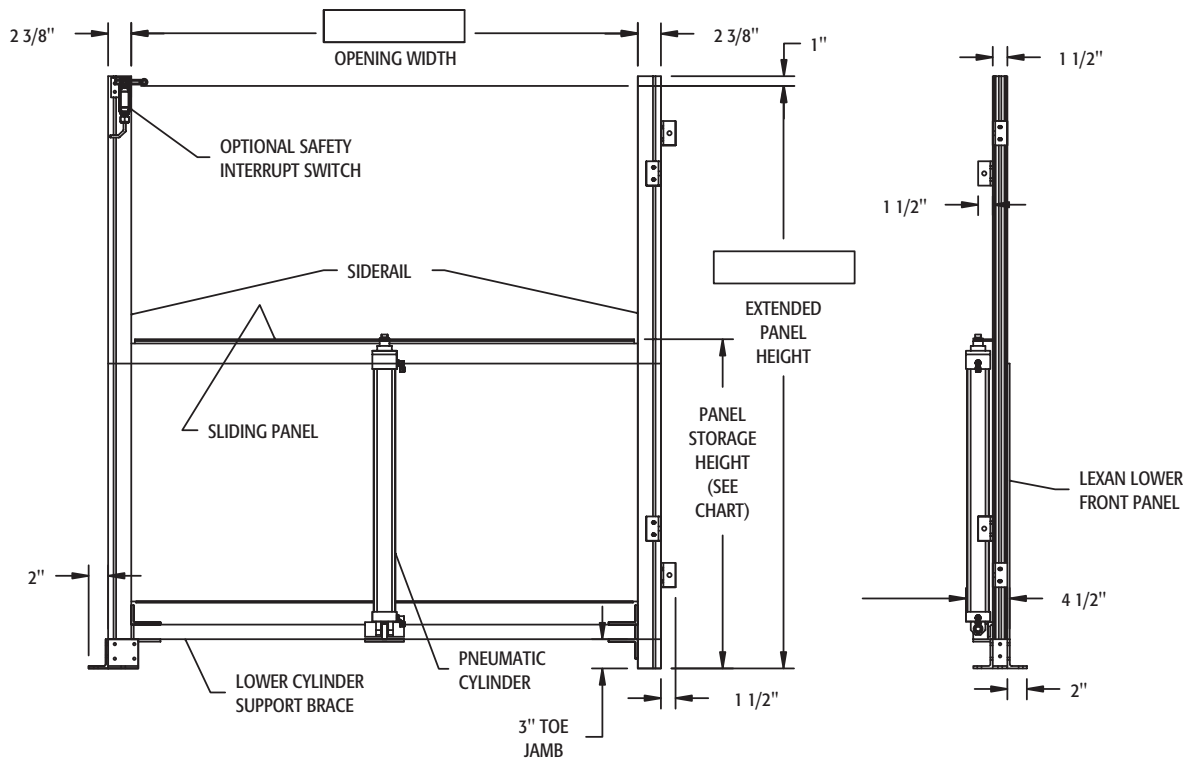
For more details, contact us at 800-553-5560.

VERTI-GUARD™
Versatile
Safety Guard

 **Frommelt®**
SAFETY PRODUCTS
Integrating Fabrics With Technology

VERTI-GUARD™

Versatile
Safety Guard



SPECIFICATIONS:

MODEL NUMBER: 1380 Verti-Guard™ Versatile Safety Guard

SIZE: Minimum: 1'-0" w x 2'-2" h
Maximum: 7'-0" w x 7'-2" h

SPEED: Adjustable, air pressure controlled

PANEL MATERIAL: **Sliding Panel:** Standard: 1/4" black Lexan™
Optional: Clear view or galvanized sheet metal
Lower Panel: Standard: 1/4" black Lexan™

PNEUMATIC CYLINDER: 2" Bore, double acting, double cushioned

SIDE FRAME MATERIAL: 1-1/2" x 2-3/8" aluminum extrusion

FRAME MATERIAL: All aluminum construction

MOUNTING STYLES: Standard: Face/in jamb mount
Optional: Side floor mount; front/back mount

CONTROLS: Standard: Junction box, Size: 10-1/2" x 8-1/2" x 6-1/4", 24V DC 4-way control valve (optional 110V AC)
Optional: Control box, Size: 10-1/2" x 8-1/2" x 6-1/4", 110V AC with open, stop, and close pushbuttons with 110V AC 4-way control valve

WARRANTY: Limited 1-year parts

CUSTOMER _____

END USER _____

SIZE _____

QUANTITY _____

CUSTOMER APPROVAL _____

SIGNATURE _____

DATE _____

 **Frommelt®**
SAFETY PRODUCTS
Integrating Fabrics With Technology

4343 Chavenelle Drive
Dubuque, Iowa 52002-2654
Toll Free: 800-553-5560
1-563-587-4401
Fax: 563-589-2776
www.frommelt.com



Printed in USA

©2001 Frommelt Safety Products