

Slide-Air™ Pneumatic Safety Curtain

FAST ACTING SLIDING CURTAIN

HIGH-SPEED OPERATION

24" per second opening and closing increases productivity

RELIABLE PNEUMATIC DESIGN

Reduces maintenance costs

PLEATED CURTAIN

Requires minimal storage space

OPAQUE OR TRANSPARENT

Opaque curtains prevent weld flash and flying debris, and transparent curtains improve visibility and safety

MACHINE GUARDING PRODUCTS



IMPROVE SAFETY AND AUTOMATE YOUR PROCESS WITH THE SLIDE-AIR™ PNEUMATIC SAFETY CURTAIN

Perfect for robotic cells or welding areas where fork truck access is required, this high speed safety curtain is available in sizes up to 10' x 10'. The speed is adjustable by controlling the volume of air to the cylinder or through a pressure control valve. And our pleated curtain design minimizes storage space and enhances overall appearance.

The Slide-Air is a **safe** and **economical** solution for many applications.

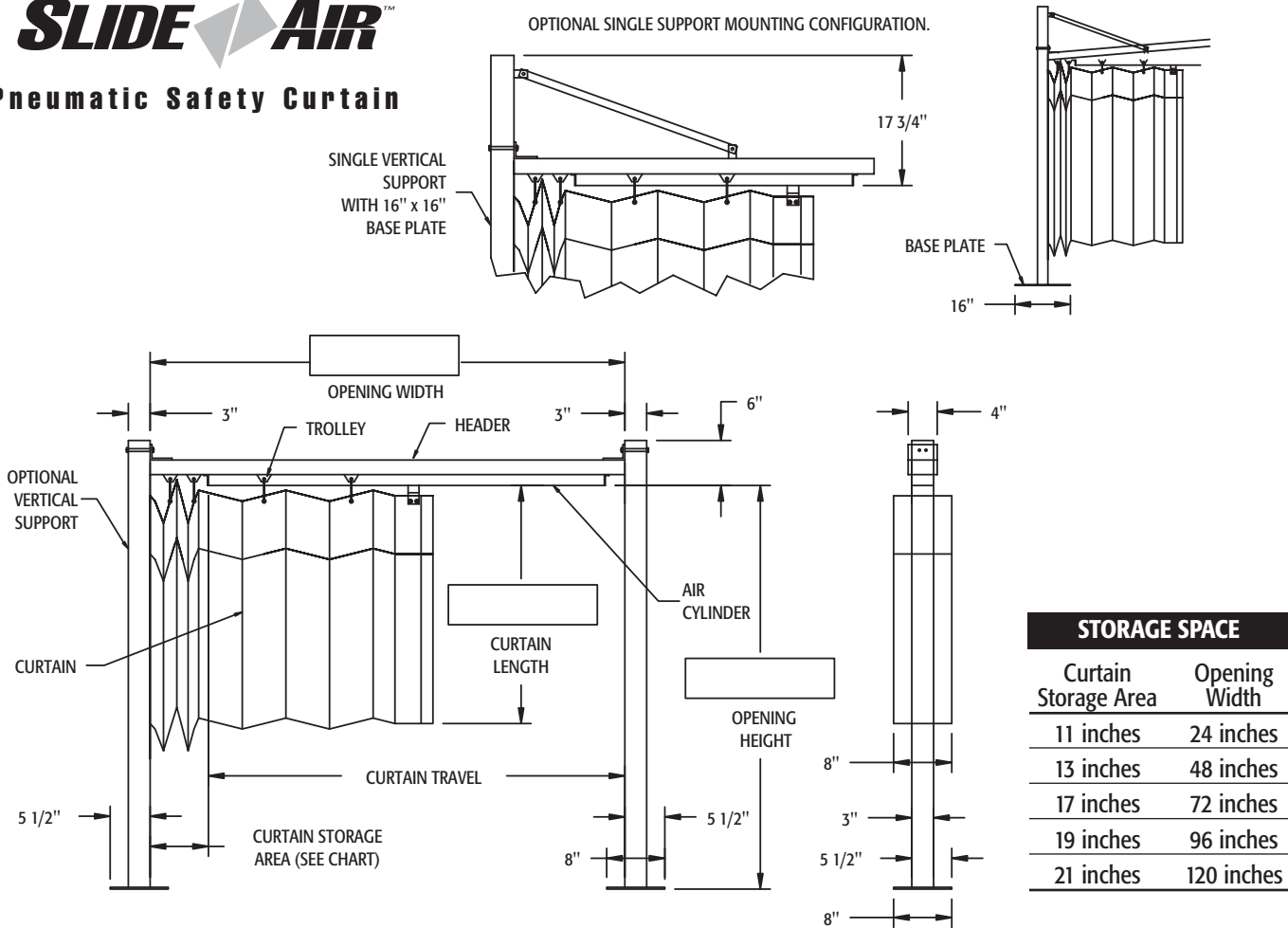
For more details, contact us at 800-553-5560.

SLIDE AIR™
Pneumatic Safety Curtain

 **Frommelt®**
SAFETY PRODUCTS
Integrating Fabrics With Technology



Pneumatic Safety Curtain



STORAGE SPACE	
Curtain Storage Area	Opening Width
11 inches	24 inches
13 inches	48 inches
17 inches	72 inches
19 inches	96 inches
21 inches	120 inches

SPECIFICATIONS:

MODEL NUMBER: 1370 Slide-Air™ Pneumatic Safety Curtain

SIZE: Minimum: 2'-0" w x 2'-0" h
Maximum: 10'-0" w x 12'-0" h

SPEED: Adjustable, air pressure controlled up to 24" per second

CURTAIN MATERIAL: Standard: 40 mil. orange PVC with 8" pleats
Optional: 35 oz. black Hypalon®

HEADER MATERIAL: 2" x 4" aluminum extrusion

PNEUMATIC CYLINDER: 1" bore, rodless cylinder

CONTROLS: Standard: Junction box, Size: 10-1/2" x 8-1/2" x 6-1/4", 24V DC 4-way control valve (optional 110V AC)
Optional: Control box, Size: 10-1/2" x 8-1/2" x 6-1/4", 110V AC with open, stop, and close pushbuttons with 110V AC 4-way control valve

SAFETY FEATURES: Soft curtain design protects personnel and property

WARRANTY: Limited 1-year parts

CUSTOMER _____

END USER _____

SIZE _____

QUANTITY _____

CUSTOMER APPROVAL _____

SIGNATURE _____ DATE _____



4343 Chavenelle Drive
Dubuque, Iowa 52002-2654
Toll Free: 800-553-5560
1-563-587-4401
Fax: 563-589-2776
www.frommelt.com



Printed in USA
©2001 Frommelt Safety Products